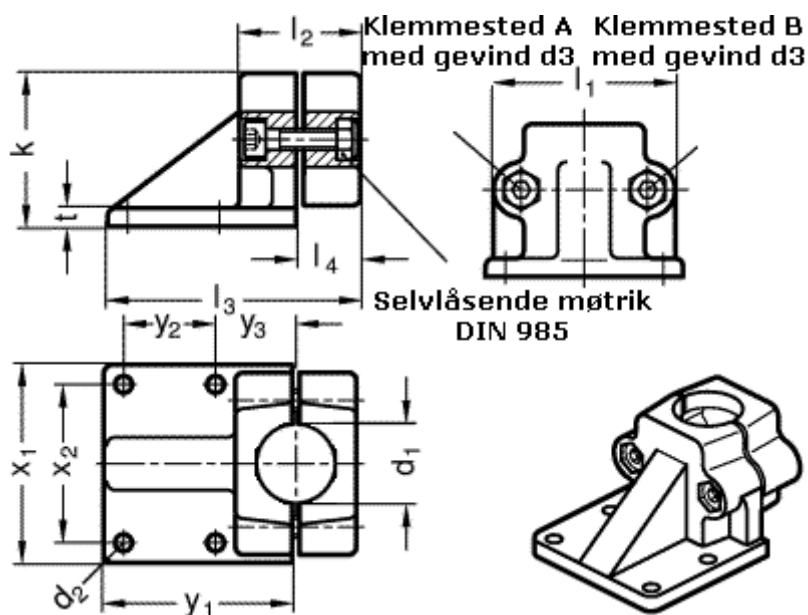


Article number: 20166B482SW

Description: Off-set baseplate clamps GN166-B48-2-SW
GN166

Measures



d1 = B48	t = 14
d2 = 11	x1 = 115
d3 = M10	x2 = 90
k = 91	y1 = 108
l1 = 98	y2 = 50
l2 = 70	y3 = 45
l3 = 145	
l4 = 35	